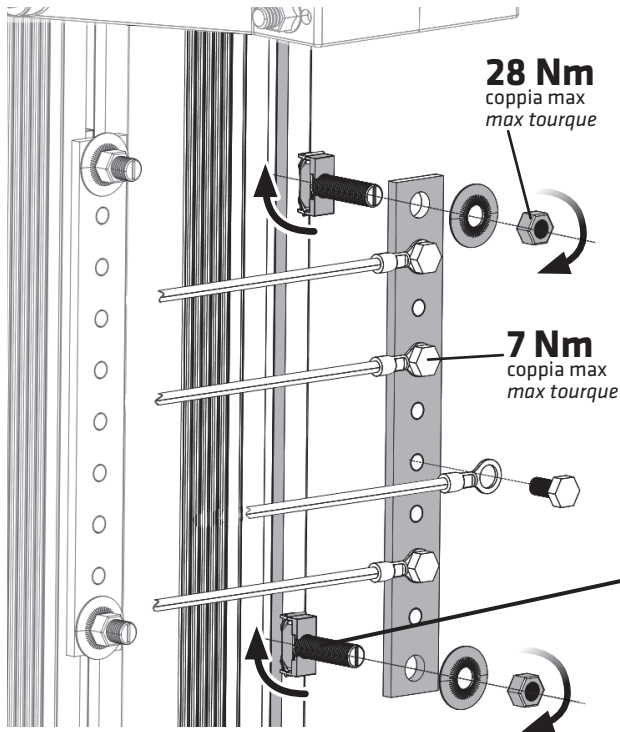


BCM8

Supporto barretta
connessioni modulari

*Bar support
for modular connections*

Istruzioni di montaggio
Instructions for use



kit composto da 1 barra in alluminio stagnato con fori filettati M6, 2 viti testa a martello, rondelle e dadi

kit made up of 1 tin-plated aluminium bar with M6 threaded holes, 2 hammer head screws, washers and nuts.

