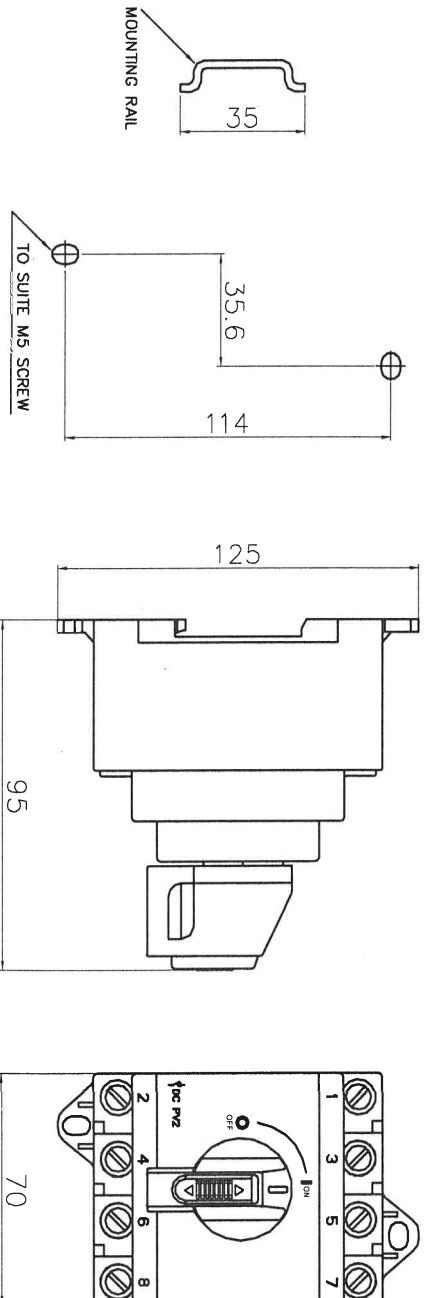


# DCLB363, B23DBP Technical details :



## DIMENSION DETAILS :



- \* 2 Hole rear mounting
- \* Alternately snap mounting on DIN EN50022 rail (35mm)

## Technical Details :

### DC Isolators Rating Chart

TYPE	CONFIGURATION	CONTACT SEQUENCE	IEC RATING 60947-3 - DC 21 B & DC Pz2				
			500V	700V	1000V	1500V	
DC LB363	1 -	1 pole	32	12	4	-	
	1 2	2 poles in series	63	63	32	16	
	1 2 3 4	2 poles in series + 2 poles in series	-	-	-	-	
	1 2 3 4	2 poles in series + 2 parallel	90	63	40	20	
	1 2 3 4	4 poles in series	63	63	63	40	

### Terminal cross section

TERMINAL CROSS SECTION	MEASURE	DC LB363
Single / Multiple strand wire	Min mm <sup>2</sup>	2.5
	Max mm <sup>2</sup>	25
Fine strand wire with sleeve	Min mm <sup>2</sup>	2.5
	Max mm <sup>2</sup>	16
Recommended Tightening Torque for Terminals	Nm	2.5

### Switching Configurations

Type	2 poles	2+2 pole 2 pole in series +2 poles parallel	4 poles	4 pole (with jumpers, input on top & output at bottom)	4 pole (with jumpers, both input & output at bottom)
DC LB363	30209	32405	30409	30448	30429
Contact Wiring diagram					
Switching example					